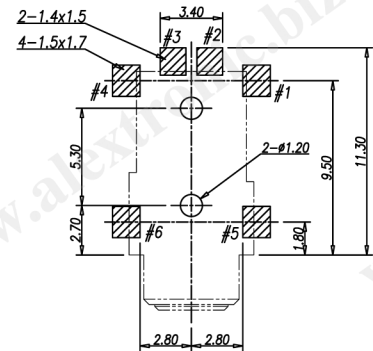
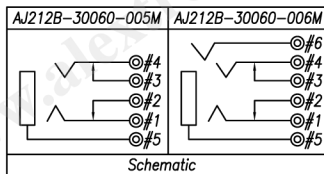
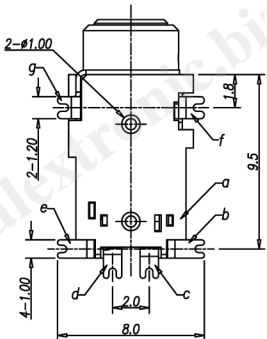
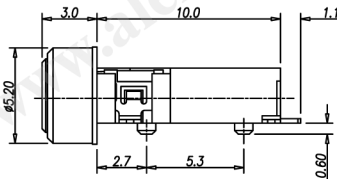
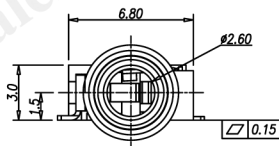


CATEGORY	DESCRIPTION	P/N #
CONNECTOR	2.5 Phone Jack, R/A, Without Metal Ring, SMT	AJ212B-30060-00XM

AJ212B-30060-00XM

表示PIN數



Recommend PCB Layout
(Jack Top View)
Tolerance: $\pm 0.05\text{mm}$

- SPECIFICATION**
1. Voltage Rating: DC 30V Min.
 2. Current Rating: 1.0A Max.
 3. Contact resistance: 30m Ω Max.
 4. Insulation resistance: 100M Ω Min. (DC250V)
 5. Operation Temperature: -25°C~70°C
 6. Withstand Voltage: AC500V
 7. Insertion force: 3kgf Max.
 8. Extraction force: 0.3kgf Min.
 9. life testing: 3,000 cycles
 10. To conform with the "QC-03-045" & "RoHS DIRECTIVE"
 11. Solder heat resistance: wave soldering 260°C 5 seconds

g	Terminal #6	1	Copper Alloy	Gold Flash Plating	
f	Terminal #5	1	Copper Alloy	Ag Plating	
e	Terminal #4	1	Copper Alloy	Ag Plating	
d	Terminal #3	1	Copper Alloy	Ag Plating	
c	Terminal #2	1	Copper Alloy	Ag Plating	
b	Terminal #1	1	Copper Alloy	Ag Plating	
a	Housing	1	High Temperature Thermoplastic	Black	
NO.	PART NAME	Q'TY	MATERIAL	PLATING & COLOR	Remark

UNLESS OTHERWISE SPECIFIED TOLERANCES		SCALE: 1/1	UNIT: mm	DWG. NO:	
		SIZE: A3	PAGE: 1 OF 1	REV: A01	
DECIMALS:		APPROVED BY		CHECKED BY	
X	: ± 0.5	XZQ		PJ	
X.X	: ± 0.3			Luguan	
X.XX	: ± 0.2				
				CUSTOMER COPY	

Product Drawing
ALEXTRONIC